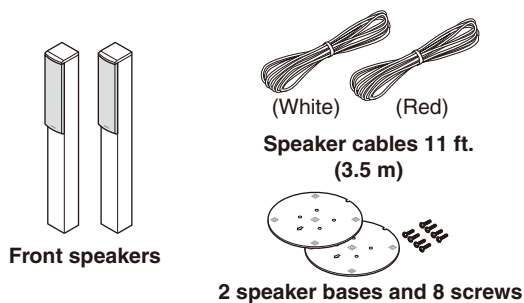
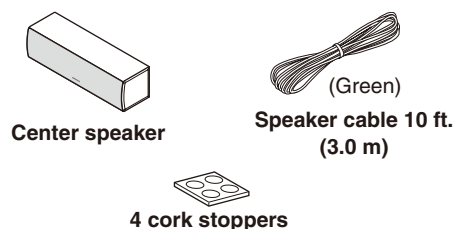
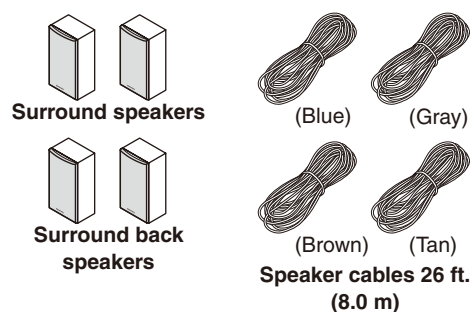
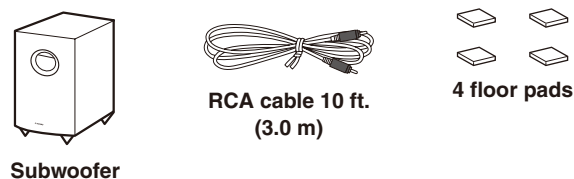


**ONKYO® SERVICE MANUAL****7.1-CH Home Theater Speaker System  
MODEL HTP-890(B)****Front speakers (SKF-780)****Center speaker (SKC-780)****Surround speakers (SKR-780)  
Surround back speakers (SKB-780)****Powered subwoofer (SKW-780)****Black model**

B MDC | 120V AC, 60Hz

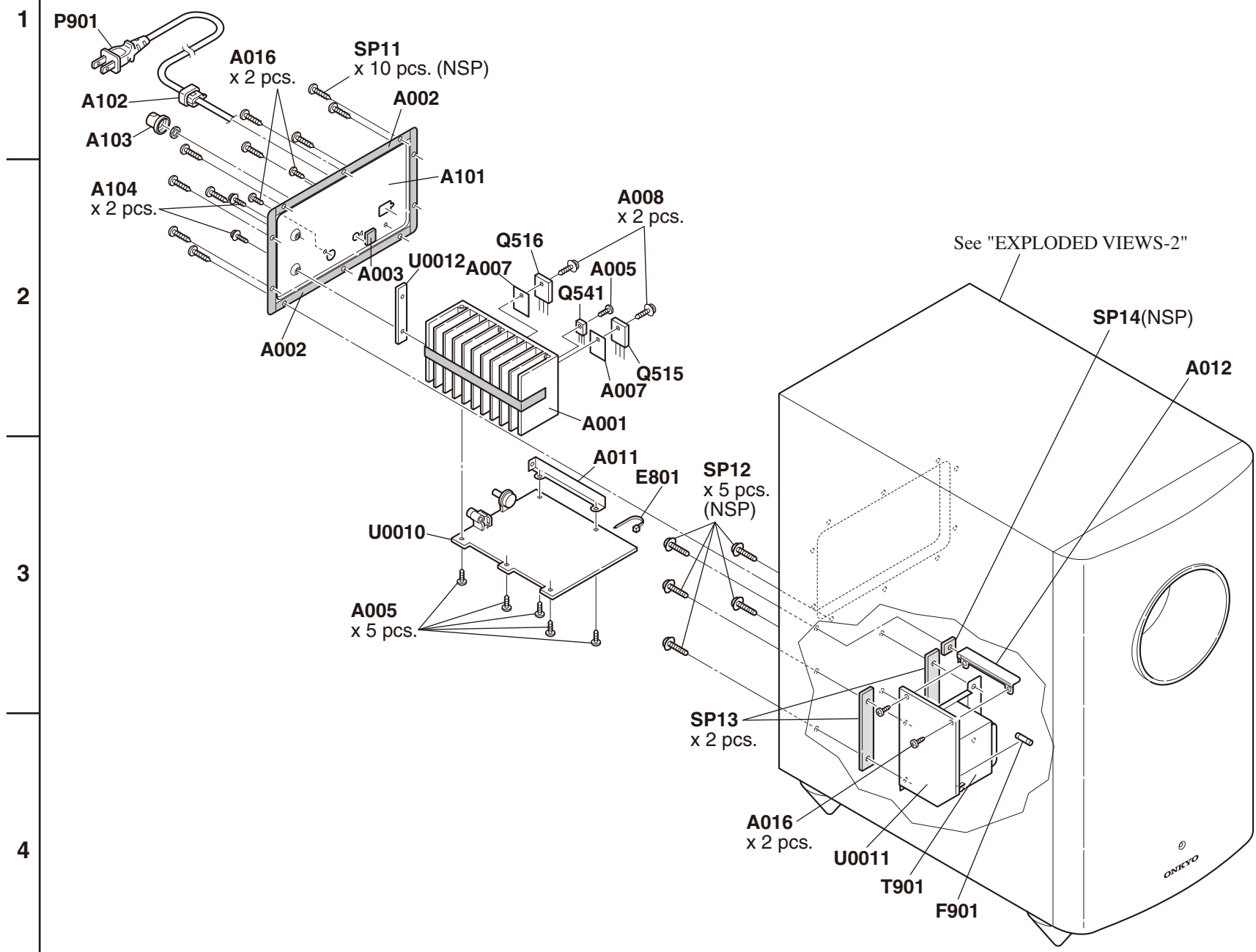
**SAFETY-RELATED COMPONENT WARNING!!**

COMPONENTS IDENTIFIED BY MARK  ON THE SCHEMATIC DIAGRAM AND IN THE PARTS LIST ARE CRITICAL FOR RISK OF FIRE AND ELECTRIC SHOCK.

REPLACE THESE COMPONENTS WITH ONKYO PARTS WHOSE PART NUMBERS APPEAR AS SHOWN IN THIS MANUAL. MAKE LEAKAGE-CURRENT OR RESISTANCE MEASUREMENTS TO DETERMINE THAT EXPOSED PARTS ARE ACCEPTABLY INSULATED FROM THE SUPPLY CIRCUIT BEFORE RETURNING THE APPLIANCE TO THE CUSTOMER.

A B C D E F G H

# EXPLODED VIEWS - 1

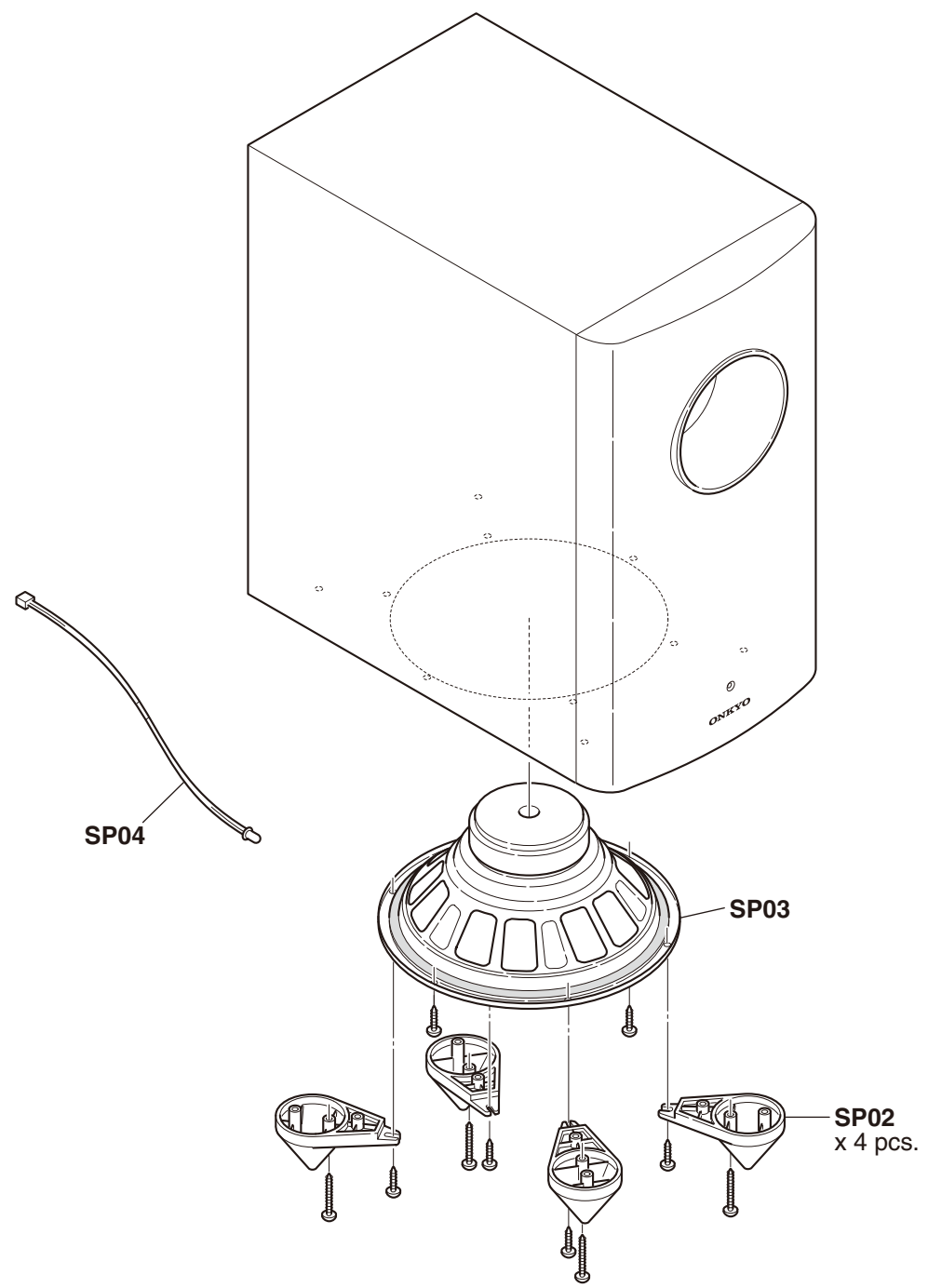


REF. NO.	PART NAME	DESCRIPTION	Q'TY	PART NO. (SN)	
<b>[SEMI CONDUCTOR]</b>					
Q515	TR	2SC5359-R	1	2203082	
Q515 or	TR	2SC5359-O	(1)	2203083	
Q516	TR	2SA1987-R(Q)	1	2203072	
Q516 or	TR	2SA1987-O	(1)	2203073GR	
Q541	TR	2SC3423-Y	1	2202104	
Q541 or	TR	2SC3423-O	(1)	2202103	
<b>[CHASSIS SCREW]</b>					
A001	HEAT SINK	230	1	27160591	
A002	CUSHION	---	2	28141682	
A003	CUSHION	---	1	28141691	
A005	SCREW	3TTB+8B(3BC)	6	838430088GR	
A007	ISO SHEET	AC262	2	223025	
A008	SCREW	3SMS8W.SW+14B(CU)	2	801634	
A011	RETAINER	(PCB)	1	27142025	
A012	RETAINER	(TRANS)SKW-538	1	27142177A	
A016	SCREW	3TTB+8B(3BC)	4	838430088GR	
A101	REAR PANEL	SKW-780DAMP(X)MDD/MDC(S&V)	1	27124183B	N
A102	BUSHING	S-RELIEF #2271	1	27300750	!
A103	KNOB	(VOL)	1	28326463	
A104	SCREW	3SMS8W.SW+14B(3BC)	2	801433GR	
SP13	CUSHION RUBBER PAD	19x89 T2 RUBBER	2	442-902138-00	
<b>[TRANS COIL]</b>					
T901	P TRANS	NPT-1578D	1	2301948	!
<b>[SW TRM]</b>					
F901	FUSE	5A-UL/T-233	1	252326GR	!
P901	AC CORD	AS-UC-2	1	253368BLTK	!
P901 or	AC CORD	AS-UC-2	(1)	253368AYUN	!
<b>[OTHERS]</b>					
E801	WIRE TIE	BSK-1	1	260208	
<b>[TUNER UNIT]</b>					
U001	U0010~U0012	BAAF-0491-2H *	1	1B139591-2H	
U0010	MAIN PC BOARD AS	BAAF-0491-2H	1	1B1395491-2H	
U0011	POWER SUPPLY PC BOARD AS	BAPS-0492-2H	1	1B1395492-2H	
U0012	ETC	BAETC-0498-2H	1	1B1395498-2H	

A B C D E F G H  
**EXPLODED VIEWS - 2**

1  
2  
3  
4  
5

**SP01a** (Subwoofer ass'y)  
(All)  
**SP01b** (Subwoofer ass'y)  
(Without AMP unit, Speaker unit and Power transformer)

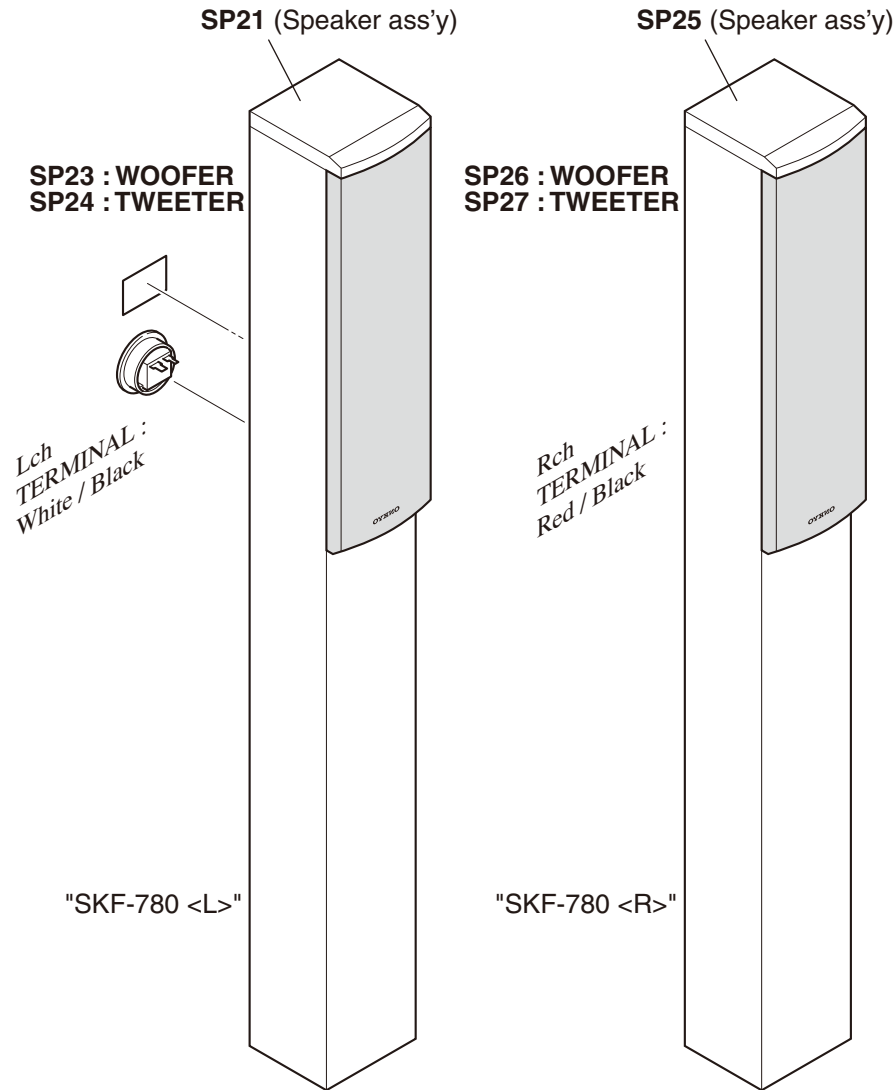


REF. NO.	PART NAME	DESCRIPTION	Q'TY	PART NO. (SN)	REMARKS
<b>SKW-780</b>					
SP01a	SPK SYSTEM ASSY	ALL	1	000-SKW890BCSER	
SP01b	SUBWOOFER ASSY	Without AMP unit, SPEAKER unit and Power transformer	1	000-SKW780BESER	
SP02	FOOT		4	D249-W55001B-01	
SP03	WOOFER (ONKYO)		1	W2302B	ONKYO ELECTRIC(M)
SP04	LED HARNESS Ass'y		1	335-SKW750-01	

### EXPLODED VIEWS-3

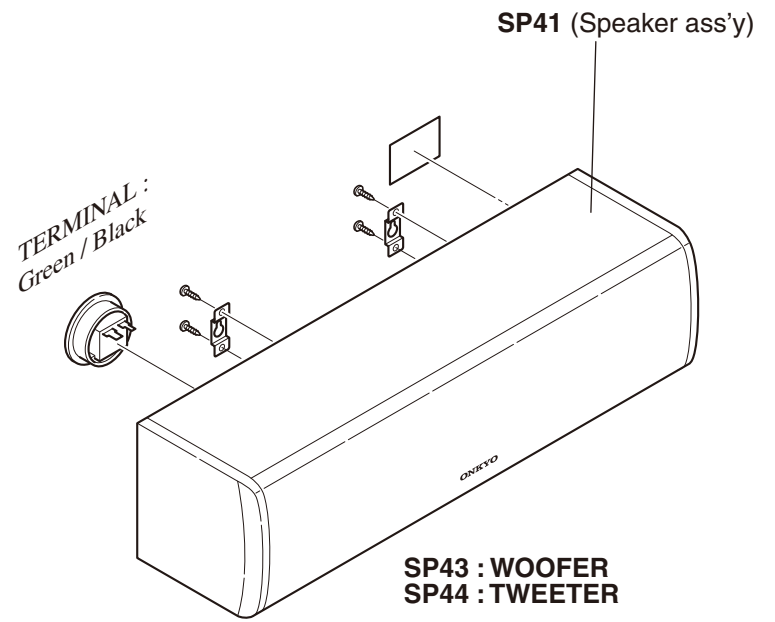
SKF-780 <L> / SKF-780 <R> / SKC-780

<Note>  
Cannot remove the speaker grill.



NOT MAGNETICALLY SHIELDED

<Note>  
Cannot remove the speaker grill.

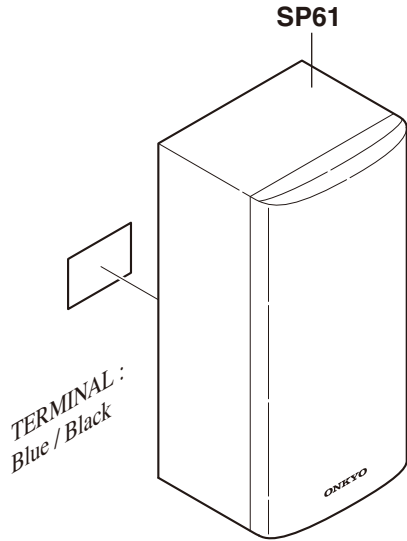


"SKC-780"

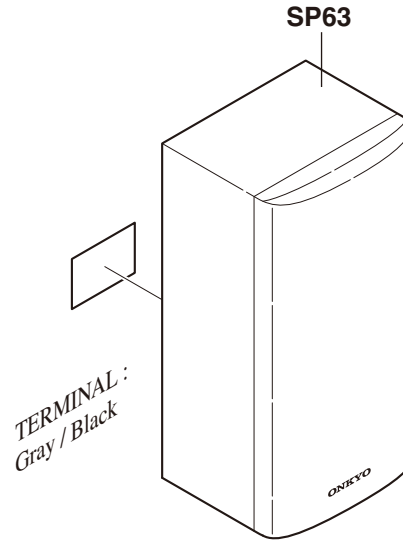
NOT MAGNETICALLY SHIELDED

### EXPLODED VIEWS-4

SKR-780 <L> / SKR-780 <R> / SKB-780 <L> / SKB-780 <R>

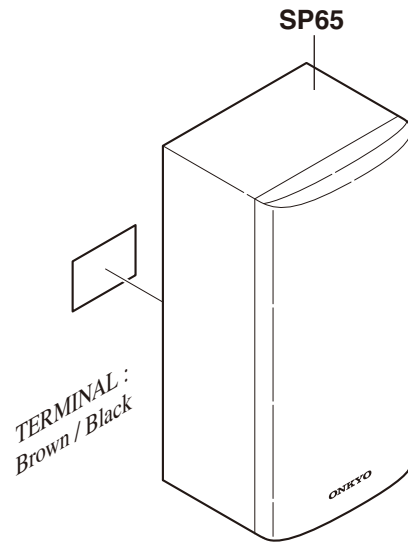


"SKR-780 <L>"  
NOT MAGNETICALLY SHIELDED

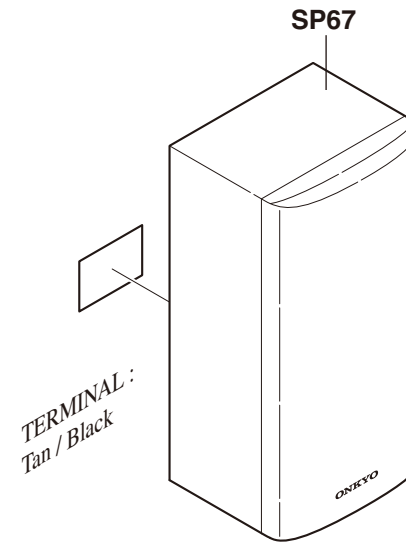


"SKR-780 <R>"  
NOT MAGNETICALLY SHIELDED

<Note>  
Cannot remove the speaker grill.



"SKB-780 <L>"  
NOT MAGNETICALLY SHIELDED



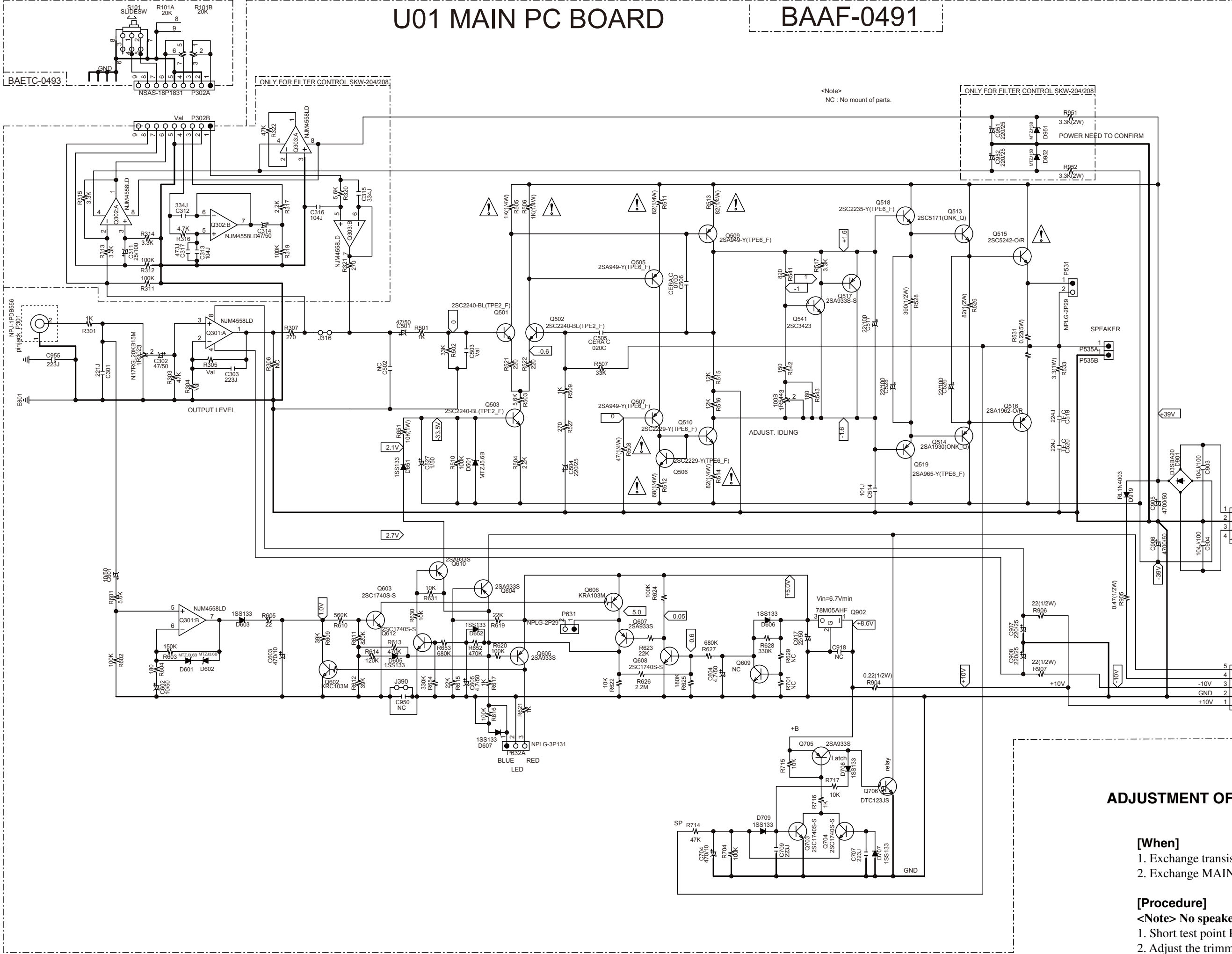
"SKB-780 <R>"  
NOT MAGNETICALLY SHIELDED

**SCHEMATIC DIAGRAM**

**POWERED SUBWOOFER**

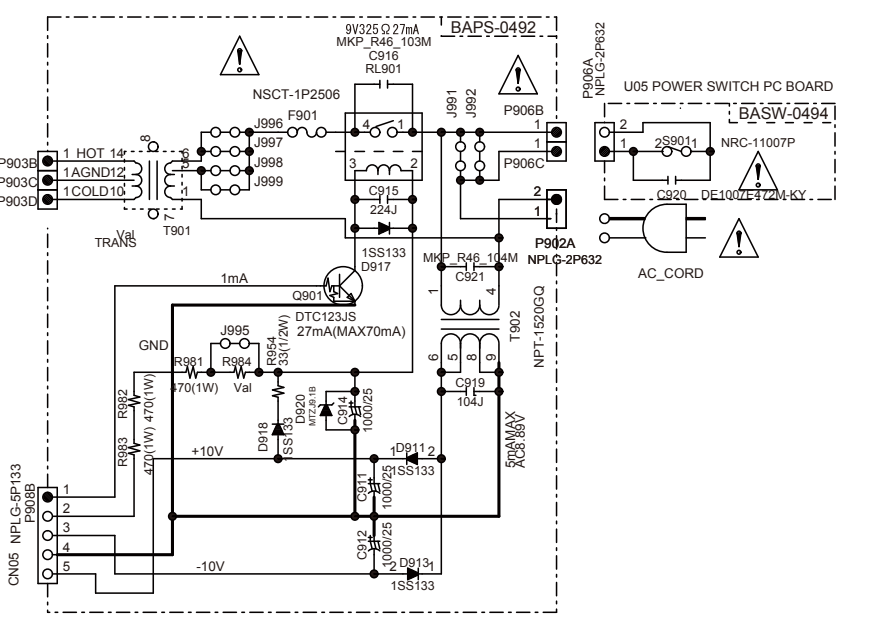
**U01 MAIN PC BOARD**

**BAAF-0491**



THE COMPONENTS IDENTIFIED BY MARK ARE CRITICAL FOR SAFETY. REPLACE ONLY WITH PART NUMBER SPECIFIED. \* VOLTAGE (MEASURED WITH VOLTMETER) IS DC VOLTAGE. (NO INPUT SIGNAL).  
ELECTROLYTIC CAPACITORS ( ) ARE IN  $\mu F$ /V.  
ALL CAPACITORS ARE IN  $\mu F$ /50V UNLESS OTHERWISE NOTED.  
EX) 030-30F 330-330F 331-330F 333-0.033  $\mu F$   
CIRCUIT IS SUBJECT TO CHANGE FOR IMPROVEMENT.

**CAUTION**  
FOR CONTINUED PROTECTION AGAINST FIRE HAZARD, REPLACE ONLY WITH FUSE OF SAME TYPE AND RATING INDICATED.  
**ATTENTION**  
AFIN D'ASSURER UNE PROTECTION PERMANENTE CONTRE LES RISQUES D'INCENDIE, REMPLACER UNIQUEMENT PAR UN FUSIBLE DE MEME TYPE ET CALIBRATION COMME INDIQUE.  
THIS SYMBOL LOCATED NEAR THE FUSE INDICATES THAT THE FUSE USED IS SLOW OPERATING TYPE FOR CONTINUED PROTECTION AGAINST FIRE HAZARD. REPLACE WITH SAME TYPE FUSE. FOR FUSE RATING REFER TO THE MAKING ADJACENT TO THE SYMBOL.  
CE SYMBOLE INDIQUE QUE LE FUSIBLE UTILISE EST A LENT. E POUR UNE PROTECTION PERMANENTE. UTILISER QUE DES FUSIBLES DE MEME TYPE. CE DERNIER EST INDIQUE LA QU LE PRESENT SYMBOLE EST APPOSE.

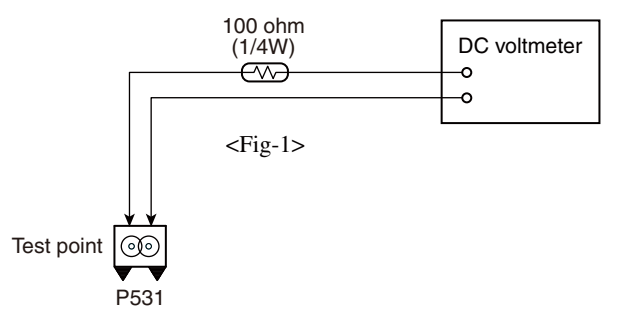


**ADJUSTMENT OF IDLING CURRENT**

- [When]  
1. Exchange transistors (Q505 - Q519).  
2. Exchange MAIN PC board ass'y (NAAF-8829).

[Procedure]

- <Note> No speaker load and No input signal.  
1. Short test point P631 for amplifier is under active mode.  
2. Adjust the trimming resistor R544 so that the reading of multimeter becomes 52 ohm to 53 ohm.  
3. Connect the DC voltmeter to test point P531. <Fig-1>  
4. Connect the power cord into the AC outlet.  
5. Confirm the voltage of above point after 6 minutes to 8 minutes. (Heat running)  
6. When less than 3.20 mV : Readjust the trimming resistor above so that the voltage becomes 4.5 mV to 5.0 mV.  
When 3.30 mV to 5.20 mV : Not necessary to adjust.  
When 5.21 mV to 10.0 mV : Readjust the trimming resistor above so that the voltage becomes 5.0 mV to 5.5 mV.  
When 10.1 mV to 20.0 mV : Readjust the trimming resistor above so that the voltage becomes 5.6 mV to 6.0 mV.  
7. Disconnect the power cord from the AC outlet.  
8. Disconnect the DC voltmeter.



NIS-PWB	MODEL	AC	F901	T901(MAIN)	T902(SUB)	Output Power	R964	J995	Q515	Q516	C905,C906	C921	R304	R305	J316(FILTER)	C303	C503	J991,J992(AC SW)	R714	P535A(SP CABLE)	MODEL
BAAF-0491-2A	SKW-204DMV1	120V	5A/125V	NPT-1558DG	NPT-1525JG	150W	470(1W)	NC	2SC5359-OR	2SA1987-OR	5600/71	104M	2.2K	22K	NC	224J	NC	68K	200991188UL	SKW-204DMV1	
BAAF-0491-2G	SKW-540DMDD	120V	5A/125V	NPT-1539D	NPT-1520JG	150W	470(1W)	NC	2SC5359-OR	2SA1987-OR	5600/71	104M	2.2K	33K	TA10	223J	224J	TA7.5	68K	200991188UL	SKW-540DMDD
BAAF-0491-2C	SKW-750DMDD	120V	5A/125V	NPT-1562D	NPT-1520JG	150W	470(1W)	NC	2SC5359-OR	2SA1987-OR	5600/71	104M	2.7K	33K	TA10	223J	224J	TA7.5	68K	200991188UL	SKW-750DMDD
BAAF-0491-2B	SKW-960DMDD	120V	5A/125V	NPT-1558D	NPT-1520JG	150W	470(1W)	NC	2SC5359-OR	2SA1987-OR	5600/71	104M	2.2K	22K	TA10	223J	224J	TA7.5	47K	200991188UL	SKW-960DMDD
BAAF-0491-1A	SKW-960DMPP	230V	1.6A/250V	NPT-1539P	NPT-1520GG	150W	470(1W)	NC	2SC5359-OR	2SA1987-OR	5600/71	104M	2.2K	22K	TA10	223J	224J	NC	47K	200991199UL	SKW-960DMPP
BAAF-0491-1A	SKW-538MPP	230V	1.6A/250V	NPT-1568M	NPT-1520GG	100W	NC	TA5	2SC5242-OR	2SA1962-OR	4700/50	NC	27K	33K	TA10	223J	224J	NC	47K	200991188UL	SKW-538MPP
BAAF-0491-1C	SKW-501EMPP	230V	1.6A/250V	NPT-1568M	NPT-1520GG	100W	NC	TA5	2SC5242-OR	2SA1962-OR	4700/50	NC	27K	33K	TA10	223J	224J	NC	47K	200991188UL	SKW-501EMPP
BAAF-0491-2F	SKW-501EMMB	230V	1.6A/250V	NPT-1568M	NPT-1520GG	100W	NC	TA5	2SC5242-OR	2SA1962-OR	4700/50	NC	27K	33K	TA10	223J	224J	NC	47K	200991188UL	SKW-501EMMB
BAAF-0491-2E	SKW-770DMMO	230V	1.6A/250V	NPT-1558M	NPT-1520GG	150W	470(1W)	NC	2SC5359-OR	2SA1987-OR	5600/71	104M	2.7K	33K	TA10	223J	224J	NC	47K	200991188UL	SKW-770DMMO
BAAF-0491-2H	SKW-770DMDD	120V	5A/125V	NPT-1578D	NPT-1520JG	150W	470(1W)	NC	2SC5359-OR	2SA1987-OR	5600/83	104M	82K	33K	TA10	223J	474J	TA7.5	47K	200991188UL	SKW-770DMDD
BAAF-0491-2H	SKW-580DMDD	120V	5A/125V	NPT-1578D	NPT-1520JG	150W	470(1W)	NC	2SC5359-OR	2SA1987-OR	5600/83	104M	82K	33K	TA10	223J	474J	TA7.5	47K	200991188UL	SKW-580DMDD
BAAF-0491-2D	SKW-580DMMO	230V	1.6A/250V	NPT-1558M	NPT-1520GG	150W	470(1W)	NC	2SC5359-OR	2SA1987-OR	5600/71	104M	82K	33K	TA10	223J	474J	TA7.5	47K	200991188UL	SKW-580DMMO
BAAF-0491-2D	SKW-580DMMQ	230V	1.6A/250V	NPT-1558M	NPT-1520GG	150W	470(1W)	NC	2SC5359-OR	2SA1987-OR	5600/71	104M	82K	33K	TA10	223J	474J	TA7.5	47K	200991188UL	SKW-580DMMQ
BAAF-0491-2C	SW-51ADMDD	120V	5A/125V	NPT-1578D	NPT-1520JG	150W	470(1W)	NC	2SC5359-OR	2SA1987-OR	5600/71	104M	2.7K	33K	TA10	223J	224J	TA7.5	47K	200991188UL	SW-51ADMDD
BAAF-0491-2H	SKW-780DMDD	120V	5A/125V	NPT-1578D	NPT-1520JG	150W	470(1W)	NC	2SC5359-OR	2SA1987-OR	5600/83	104M	82K	33K	TA10	223J	474J	TA7.5	47K	200991188UL	SKW-780DMDD
BAAF-0491-2F	SKW-980DMDD	120V	5A/125V	NPT-1539D	NPT-1520JG	150W	470(1W)	NC	2SC5359-OR	2SA1987-OR	5600/71	104M	2.2K	8.2K	TA10	223J	224J	TA7.5	68K	200991199UL	SKW-980DMDD
BAAF-0491-1F	SKW-938MPP	230V	1.6A/250V	NPT-1539P	NPT-1520GG	150W	470(1W)	NC	2SC5359-OR	2SA1987-OR	5600/71	104M	2.2K	8.2K	TA10	223J	224J	TA7.5	68K	200991199UL	SKW-938MPP
BAAF-0491-1B	SKW-208MPP	230V	1.6A/250V	NPT-1539P	NPT-1520GG	150W	470(1W)	NC	2SC5359-OR	2SA1987-OR	5600/71	104M	2.7K	33K	NC	NC	NC	NC	47K	200991188UL	SKW-208MPP

HTP-890

## &lt;Note&gt;

Parts marked by 'NSP' are generally unavailable because they are not in our Master Spare Parts List.

**NOTE : THE COMPONENTS IDENTIFIED BY THE MARK  
! ARE CRITICAL FOR RISK OF FIRE AND  
ELECTRIC SHOCK. REPLACE ONLY WITH PART  
NUMBER SPECIFIED.**

HTP-890

**EXPLODED VIEW PARTS LIST**

**SKW-780 (B) : POWERED SUBWOOFER  
AMPLIFIER SECTION (SKW-780)**

REF. NO.	PART NAME	DESCRIPTION	Q'TY	PART NO. (SN)	REMARKS
<b>[SEMI CONDUCTOR]</b>					
Q515	TR	2SC5359-R	1	2203082	<X>
Q515 or	TR	2SC5359-O	(1)	2203083	<X>
Q516	TR	2SA1987-R(Q)	1	2203072	<X>
Q516 or	TR	2SA1987-O	(1)	2203073GR	<X>
Q541	TR	2SC3423-Y	1	2202104	<X>
Q541 or	TR	2SC3423-O	(1)	2202103	<X>
<b>[CHASSIS SCREW]</b>					
A001	HEAT SINK	230	1	27160591	<X>
A002	CUSHION	---	2	28141682	<X>
A003	CUSHION	---	1	28141691	<X>
A005	SCREW	3TTB+8B(3BC)	6	838430088GR	<X>
A007	ISO SHEET	AC262	2	223025	<X>
A008	SCREW	3SMS8W.SW+14B(CU)	2	801634	<X>
A011	RETAINER	(PCB)	1	27142025	<X>
A012	RETAINER	(TRANS)SKW-538	1	27142177A	<X>
A016	SCREW	3TTB+8B(3BC)	4	838430088GR	<X>
A101	REAR PANEL	SKW-780DAMP(X)MDD/MDC(S&V	1	27124183B	<b>N</b> <X MDD>

A102	BUSHING	S-RELIEF #2271	1	27300750	<X MDD>
A103	KNOB	(VOL)	1	28326463	<X MDD>
A104	SCREW	3SMS8W.SW+14B(3BC)	2	801433GR	<X MDD>
SP13	CUSHION RUBBER PAD	19x89 T2 RUBBER	2	442-902138-00	
<b>[TRANS COIL]</b>					
T901	P TRANS	NPT-1578D	1	2301948	<X MDD>
<b>[SW TRM]</b>					
F901	FUSE	5A-UL/T-233	1	252326GR	<X MDD>
P901	AC CORD	AS-UC-2	1	253368BLTK	<X MDD>
P901 or	AC CORD	AS-UC-2	(1)	253368AYUN	<X MDD>
<b>[OTHERS]</b>					
E801	WIRE TIE	BSK-1	1	260208	<X>
F901C	LABEL	5A/125V	1	29360462	<X MDD>
<b>[TUNER UNIT]</b>					
U001	U0010~U0012	BAAF-0491-2H *	1	1B139591-2H	
U0010	MAIN PC BOARD AS	BAAF-0491-2H	1	1B1395491-2H	
U0011	POWER SUPPLY PC BOARD AS	BAPS-0492-2H	1	1B1395492-2H	
U0012	ETC	BAETC-0498-2H	1	1B1395498-2H	
<b>SPEAKER SECTION</b>					
<b>REF. NO.</b>	<b>PART NAME</b>	<b>DESCRIPTION</b>	<b>Q'TY</b>	<b>PART NO. (SN)</b>	<b>REMARKS</b>
<b>SKW-780(B) : SUBWOOFER</b>					
SP01a	SPK SYSTEM ASS'Y(ALL)	SKW-780 (B) MDC	1	000-SKW890BCSER	
SP01b	SUBWOOFER ASS'Y	SKW-780 (B) MDC	1	000-SKW780BESER	
<b>&lt;Note&gt;</b>					
<b>SP01a = ALL</b>					
<b>SP01b = Without AMP unit, Speaker unit and Power transformer</b>					
SP02	FOOT		4	D249-W55001B-01	
SP03	WOOFER (ONKYO)	ONKYO ELECTRIC(M)	1	W2302B	
SP04	LED HARNESS Ass'y		1	335-SKW750-01	
<b>STELLITE PACKAGE (SKF-780&lt;L/R&gt; + SKC-780 + SKR-780&lt;L/R&gt; + SKB-780&lt;L/R&gt;)</b>				<b>000-HTP890STCBCSER</b>	
<b>SKF-780 &lt;L&gt;(B) : FRONT SPEAKERS</b>					
SP21	SPK SYSTEM ASSY (COMPLETE UNIT)		1	000-KF890LBCSER	



SP23	Woofers	1	300-DHTS7200800
SP24	Tweeter	1	302-DBF7700200
<b>SKF-780 &lt;R&gt;(B) : FRONT SPEAKERS</b>			
SP25	SPK SYSTEM ASSY (COMPLETE UNIT)	1	000-KF890RBCSER
SP26	Woofers	1	300-DHTS7200800
SP27	Tweeter	1	302-DBF7700200
<b>SKC-780 (B) : CENTER SPEAKER</b>			
SP41	SPK SYSTEM ASSY (COMPLETE UNIT)	1	000-SKC890BCSER
SP43	Woofers	1	300-DHTS7200800
SP44	Tweeter	1	302-DBF7700200
<b>SKR-780 &lt;L&gt;(B) : SURROUNDSPEAKERS</b>			
SP61	COMPLETE UNIT of SKR-890(B)L	1	000-KR890LBCSER
<b>SKR-780 &lt;R&gt; (B) : SURROUND SPEAKER</b>			
SP63	COMPLETE UNIT of SKR-890(B)R	1	000-KR890RBCSER
<b>SKB-780 &lt;L&gt;(B) : SURROUNDSPEAKERS</b>			
SP65	COMPLETE UNIT of SKB-890(B)L	1	000-KB890LBCSER
<b>SKB-780 &lt;R&gt; (B) : SURROUND SPEAKER</b>			
SP67	COMPLETE UNIT of SKB-890(B)R	1	000-KB890RBCSER

**HTP-890**

**PC BOARD PARTS LIST**

<b>U001</b>	<b>U0010~U0012</b>	<b>BAAF-0491-2H *</b>	<b>1</b>	<b>1B139591-2H</b>
<b>U0010</b>	<b>MAIN PC BOARD AS</b>	<b>BAAF-0491-2H</b>	<b>1</b>	<b>1B1395491-2H</b>
<b>U0011</b>	<b>POWER SUPPLY PC BOARD AS</b>	<b>BAPS-0492-2H</b>	<b>1</b>	<b>1B1395492-2H</b>
<b>U0012</b>	<b>ETC</b>	<b>BAETC-0498-2H</b>	<b>1</b>	<b>1B1395498-2H</b>

CIRCUIT NO.	PART NAME	DESCRIPTION	Q'TY	PART NO. (SN)	REMARKS
<b>[SEMI CONDUCTOR]</b>					
D501	ZENER D	MTZJ5.6B	1	224470562T	
D601	ZENER D	MTZJ3.6B	1	224470362T	
D602	ZENER D	MTZJ3.6B	1	224470362T	
D603	DIODE	1SS133	1	223163T	

D605	DIODE	ISS133	1	223163T	
D606	DIODE	ISS133	1	223163T	
D607	DIODE	ISS133	1	223163T	
D651	DIODE	ISS133	1	223163T	
D652	DIODE	ISS133	1	223163T	
D707	DIODE	ISS133	1	223163T	<X MDD>
D708	DIODE	ISS133	1	223163T	<X MDD>
D709	DIODE	ISS133	1	223163T	<X MDD>
D901	DIODE	D3SBA60	1	22380272F	
D901 or	DIODE	RBV402	(1)	22380022F	
D911	DIODE	ISS133	1	223163T	
D913	DIODE	ISS133	1	223163T	
D917	DIODE	ISS133	1	223163T	
D918	DIODE	ISS133	1	223163T	
D919	DIODE	RL1N4003	1	22380260T	
D920	ZENER D	MTZJ9.1B	1	224470912T	
Q301	IC	NJM4558L-D	1	22240293	
Q501	TR	2SC2240-BL(TPE2_F)	1	2211406T	
Q502	TR	2SC2240-BL(TPE2_F)	1	2211406T	
Q503	TR	2SC2240-BL(TPE2_F)	1	2211406T	
Q505	TR	2SA949-O(TPE6_F)	1	2211353T	
Q505 or	TR	2SA949-Y(TPE6_F)	(1)	2211354T	
Q505 or	TR	KTA1024-Y	(1)	2215844T	
Q506	TR	2SC2229-O(TPE6_F)	1	2211633T	
Q506 or	TR	2SC2229-Y(TPE6_F)	(1)	2211634T	
Q506 or	TR	KTC3206-Y	(1)	2215854T	
Q507	TR	2SA949-O(TPE6_F)	1	2211353T	
Q507 or	TR	2SA949-Y(TPE6_F)	(1)	2211354T	
Q507 or	TR	KTA1024-Y	(1)	2215844T	
Q509	TR	2SA949-O(TPE6_F)	1	2211353T	
Q509 or	TR	2SA949-Y(TPE6_F)	(1)	2211354T	
Q509 or	TR	KTA1024-Y	(1)	2215844T	
Q510	TR	2SC2229-O(TPE6_F)	1	2211633T	

Q510 or	TR	2SC2229-Y(TPE6_F)	(1)	2211634T
Q510 or	TR	KTC3206-Y	(1)	2215854T
Q513	TR	2SC5171(ONK_Q)	1	2203010
Q513 or	TR	KTD2061-Y	(1)	2203434
Q514	TR	2SA1930(ONK_Q)	1	2203000
Q514 or	TR	KTB1369-Y	(1)	2203424
Q517	TR	2SA933S-S	1	2213355T
Q517 or	TR	2SA933S-R	(1)	2213354T
Q517 or	TR	KTA1267-GR	(1)	2215995T
Q518	TR	2SC2235-Y(TPE6_F)	1	2211654T
Q519	TR	2SA965-Y(TPE6_F)	1	2211644T
Q602	TR	KRC103M	1	2215810T
Q602 or	TR	DTC124ES	(1)	2213160T
Q603	TR	2SC1740S-S	1	2213285T
Q603 or	TR	2SC1740S-R	(1)	2213284T
Q603 or	TR	KTC3199-GR	(1)	2215864T
Q604	TR	2SA933S-S	1	2213355T
Q604 or	TR	2SA933S-R	(1)	2213354T
Q604 or	TR	KTA1267-GR	(1)	2215995T
Q605	TR	2SA933S-S	1	2213355T
Q605 or	TR	2SA933S-R	(1)	2213354T
Q605 or	TR	KTA1267-GR	(1)	2215995T
Q606	TR	KRA103M	1	2215780T
Q606 or	TR	DTA124ES	(1)	2212600T
Q607	TR	2SA933S-S	1	2213355T
Q607 or	TR	2SA933S-R	(1)	2213354T
Q607 or	TR	KTA1267-GR	(1)	2215995T
Q608	TR	2SC1740S-S	1	2213285T
Q608 or	TR	2SC1740S-R	(1)	2213284T
Q608 or	TR	KTC3199-GR	(1)	2215864T
Q610	TR	2SA933S-S	1	2213355T
Q610 or	TR	2SA933S-R	(1)	2213354T
Q610 or	TR	KTA1267-GR	(1)	2215995T

Q612	TR	2SC1740S-S	1	2213285T	
Q612 or	TR	2SC1740S-R	(1)	2213284T	
Q612 or	TR	KTC3199-GR	(1)	2215864T	
Q703	TR	2SC1740S-S	1	2213285T	<X MDD>
Q703 or	TR	2SC1740S-R	(1)	2213284T	<X MDD>
Q703 or	TR	KTC3199-GR	(1)	2215864T	<X MDD>
Q704	TR	2SC1740S-S	1	2213285T	<X MDD>
Q704 or	TR	2SC1740S-R	(1)	2213284T	<X MDD>
Q704 or	TR	KTC3199-GR	(1)	2215864T	<X MDD>
Q705	TR	2SA933S-S	1	2213355T	<X MDD>
Q705 or	TR	2SA933S-R	(1)	2213354T	<X MDD>
Q705 or	TR	KTA1267-GR	(1)	2215995T	<X MDD>
Q706	TR	DTC123JS	1	2213640T	<X MDD>
Q901	TR	DTC123JS	1	2213640T	
Q902	IC	78M05AHF(MPC78M05AHF)	1	222780055NEC	
Q902 or	IC	78M05(NJM78M05FA)	(1)	222780055JRC	
<b>[TRANS COIL]</b>					
T902	P TRANS	NPT-1520JQ	1	2301812A	<X MDD>
<b>[CAPACITOR]</b>					
C301	UPZ C	2AUPZTF221JE	1	376332214T	<X MDD>
C302	UTSP C	CE04W50V 47M(UTSP)	1	397584707T	
C303	TF C	ECQ-V50V-223J	1	374722234T	<X MDD>
C501	UTSP C	CE04W50V 47M(UTSP)	1	397584707T	
C503	TF C	ECQ-V50V-474J	1	374724744T	<X MDD>
C504	UTSP C	CE04W25V-220M(UTSP)	1	397552217T	
C505	CERA C	CC45CH50V-020C	1	345340201T	
C506	CERA C	CC45CH50V-070D	1	345340702T	
C514	UPZ C	2AUPZTF101JE	1	376331014T	
C517	VR C	CE04W100V-22M(VR)	1	394692207T	
C519	TF C	ECQ-V50V-224J	1	374722244T	
C520	TF C	ECQ-V50V-224J	1	374722244T	
C526	VR C	CE04W100V-22M(VR)	1	394692207T	
C527	UTSP C	CE04W50V-1M(UTSP)	1	397580107T	

C528	VR C	CE04W100V-22M(VR)	1	394692207T	
C601	UTSP C	CE04W50V-10M(UTSP)	1	397581007T	
C602	UTSP C	CE04W50V-10M(UTSP)	1	397581007T	
C603	UTSP C	CE04W10V-470M(UTSP)	1	397534717T	
C604	UTSP C	CE04W50V-4.7M(UTSP)	1	397580477T	
C605	UTSP C	CE04W50V-4.7M(UTSP)	1	397580477T	
C704	UTSP C	CE04W10V-470M(UTSP)	1	397534717T	<X MDD>
C707	TF C	ECQ-V50V-223J	1	374722234T	<X MDD>
C709	TF C	ECQ-V50V-223J	1	374722234T	<X MDD>
C903	TF C	ECQ-V100V-104J	1	374731044T	
C904	TF C	ECQ-V100V-104J	1	374731044T	
C905	ELECT C	CE62W63V-5600M	1	3504399	<X MDD>
C905 or	ELECT C	CE69W63V-5600M	(1)	3504481	<X MDD>
C906	ELECT C	CE62W63V-5600M	1	3504399	<X MDD>
C906 or	ELECT C	CE69W63V-5600M	(1)	3504481	<X MDD>
C907	UTSP C	CE04W25V-220M(UTSP)	1	397552217T	
C908	UTSP C	CE04W25V-220M(UTSP)	1	397552217T	
C911	UTSK C	CE04W25V-1000M(UTSK)	1	398351027S	
C912	UTSK C	CE04W25V-1000M(UTSK)	1	398351027S	
C914	UTSK C	CE04W25V-1000M(UTSK)	1	398351027S	
C915	TF C	ECQ-V50V-224J	1	374722244T	
C916	IS C	MKP R46 103M	1	3500202S	
C917	UTSP C	CE04W50V-22M(UTSP)	1	397582207T	
C919	TF C	ECQ-V50V-104J	1	374721044T	
C921	PLA C	MKP R46 104M	1	3800041S	<X MDD>
C955	TF C	ECQ-V50V-223J	1	374722234T	
<b>[RESISTOR]</b>					
R301	CARBON R	R16J-1K	1	417341024T	
R302	VARI R	N17RGL20KB15M	1	5151508	
R303	CARBON R	R16J-47K	1	417344734T	
R304	CARBON R	R16J-82K	1	417348234T	<X MDD>
R305	CARBON R	R16J-33K	1	417343334T	<X MDD>
R307	CARBON R	R16J-270	1	417342714T	

R501	CARBON R	R16J-1K	1	417341024T
R502	CARBON R	R16J-33K	1	417343334T
R503	CARBON R	R16J-5.6K	1	417345624T
R504	CARBON R	R16J-2.2K	1	417342224T
R505	NF CARBON R	R25J-1.0K	1	415471024T
R506	NF CARBON R	R25J-1.0K	1	415471024T
R507	CARBON R	R16J-33K	1	417343334T
R508	NF CARBON R	R25J-47	1	415474704T
R509	CARBON R	R16J-1K	1	417341024T
R510	CARBON R	R16J-100K	1	417341044T
R511	NF CARBON R	R25J-82	1	415478204T
R512	NF CARBON R	R25J-68	1	415476804T
R513	NF CARBON R	R25J-82	1	415478204T
R514	NF CARBON R	R25J-82	1	415478204T
R515	CARBON R	R16J-12K	1	417341234T
R516	CARBON R	R16J-12K	1	417341234T
R517	CARBON R	R16J-3.3K	1	417343324T
R521	CARBON R	R16J-220	1	417342214T
R522	CARBON R	R16J-220	1	417342214T
R526	METAL O R	RS1/2WBJ-82	1	443528204T
R527	CARBON R	R16J-270	1	417342714T
R528	METAL O R	RS1/2WBJ-390	1	443523914T
R531	METAL PR	RF-5EGKR22	1	4000201
R531 or	METAL PR	RGC55 0.22	(1)	4000132
R531 or	METAL P R	RGC55C 0.22 K	(1)	4000157
R531 or	METAL PR	MPR5W+5W 0R22	(1)	4000233
R533	METAL R	RNU1WCJ-3.3	1	453630334T
R541	NF CARBON R	R25J-820	1	415478214T
R542	CARBON R	R16J-150	1	417341514T
R543	CARBON R	R16J-180	1	417341814T
R544	TRIM R	N06HR100BC	1	5210399T
R601	CARBON R	R16J-5.6K	1	417345624T
R602	CARBON R	R16J-100K	1	417341044T

R603	CARBON R	R16J-150K	1	417341544T	
R604	CARBON R	R16J-180	1	417341814T	
R605	CARBON R	R16J-22	1	417342204T	
R609	CARBON R	R16J-39K	1	417343934T	
R610	CARBON R	R16J-560K	1	417345644T	
R611	CARBON R	R16J-820K	1	417348244T	
R612	CARBON R	R16J-39K	1	417343934T	
R613	CARBON R	R16J-470K	1	417344744T	
R614	CARBON R	R16J-120K	1	417341244T	
R615	CARBON R	R16J-22K	1	417342234T	
R616	CARBON R	R16J-100K	1	417341044T	
R617	CARBON R	R16J-1K	1	417341024T	
R619	CARBON R	R16J-22K	1	417342234T	
R620	CARBON R	R16J-100K	1	417341044T	
R621	CARBON R	R16J-1K	1	417341024T	
R622	CARBON R	R16J-10K	1	417341034T	
R623	CARBON R	R16J-22K	1	417342234T	
R624	CARBON R	R16J-100K	1	417341044T	
R625	CARBON R	R16J-180K	1	417341844T	
R626	CARBON R	R16J-2.2M	1	417342254T	
R627	CARBON R	R16J-680K	1	417346844T	
R628	CARBON R	R16J-330K	1	417343344T	
R630	CARBON R	R16J-10K	1	417341034T	
R631	CARBON R	R16J-10K	1	417341034T	
R651	METAL O R	RS1WBJ-10K	1	443621034T	
R652	CARBON R	R16J-470K	1	417344744T	
R653	CARBON R	R16J-680K	1	417346844T	
R654	CARBON R	R16J-330K	1	417343344T	
R704	CARBON R	R16J-100K	1	417341044T	<X MDD>
R714	CARBON R	R16J-47K	1	417344734T	<X MDD>
R715	CARBON R	R16J-10K	1	417341034T	<X MDD>
R716	CARBON R	R16J-1K	1	417341024T	<X MDD>
R717	CARBON R	R16J-10K	1	417341034T	<X MDD>

R904	METAL R	RNU1/2WCJ-0.22	1	453532294T	
R905	METAL R	RNU1/2WCJ-0.47	1	453534794T	
R906	METAL O R	RS1/2WBJ-22	1	443522204T	
R907	METAL O R	RS1/2WBJ-22	1	443522204T	
R954	METAL O R	RS1/2WBJ-33	1	443523304T	
R981	METAL O R	RS1WBJ-470	1	443624714T	
R982	METAL O R	RS1WBJ-470	1	443624714T	
R983	METAL O R	RS1WBJ-470	1	443624714T	
R984	METAL O R	RS1WBJ-470	1	443624714T	<X MDD>
<b>[SW TRM]</b>					
E801	RETAINER	KANAGU(EARTH)	1	27141059	
F901A	FUSE HOL	NSCT-1P2506	1	25052609T	
F901Aor	FUSE HOL	NSCT-1P2031	(1)	25052133T	
F901B	FUSE HOL	NSCT-1P2506	1	25052609T	
F901Bor	FUSE HOL	NSCT-1P2031	(1)	25052133T	
P301	PIN JACK	NPJ-1PDB581	1	25045801	
P301 or	PIN JACK	NPJ-1PDBL382	(1)	25045567	
P301 or	PIN JACK	NPJ-1PDB556	(1)	25045774	
P531	PLUG	NPLG-2P29	1	25055038	
P535A	SOCKET AS	NSAS-2P1852	1	2009991188UL	<X MDD>
P631	PLUG	NPLG-2P29	1	25055038	
P632A	PLUG	NPLG-3P131	1	25055147	
P902A	PLUG	NPLG-2P632	1	25055676	
P903A	PLUG	NPLG-4P151	1	25055167	
P903B	SOCKET AS	NSAS-7P1834	1	20099900740UL	
P908A	SOCKET AS	NSAS-10P1152	1	2002A391040UL	
P908B	PLUG	NPLG-5P133	1	25055149	
RL901	RELAY	NRL-1P5A-DC9-179	1	25065669	



# ONKYO

## ONKYO SOUND & VISION CORPORATION

Technical Support, Service Dept.: 2-1, Nisshin-cho, Neyagawa-shi, OSAKA 572-8540, JAPAN  
Tel: 072-831-8023 Fax: 072-831-8163

## ONKYO U.S.A. CORPORATION

18 Park Way, Upper Saddle River, N.J. 07458, U.S.A.  
Tel: 800-229-1687, 201-785-2600 Fax: 201-785-2650  
<http://www.us.onkyo.com/>

## ONKYO EUROPE ELECTRONICS GmbH

Liegnitzerstrasse 6, 82194 Groebenzell, GERMANY  
Tel: +49-(0)8142 42 08 10 Fax: +49-8142-4401-555  
<http://www.eu.onkyo.com/>

## ONKYO EUROPE ELECTRONICS GmbH (UK BRANCH)

The Coach House 81A High Street, Marlow, Buckinghamshire, SL7 1AB, UK  
Tel: +44-(0)1628-473-350 Fax: +44-(0)1628-401-700

## ONKYO CHINA LIMITED

Unit 1033, 10/F, Star House, No 3, Salisbury Road, Tsim Sha Tsui Kowloon, Hong Kong.  
Tel: 852-2429-3118 Fax: 852-2428-9039  
<http://www.ch.onkyo.com/>